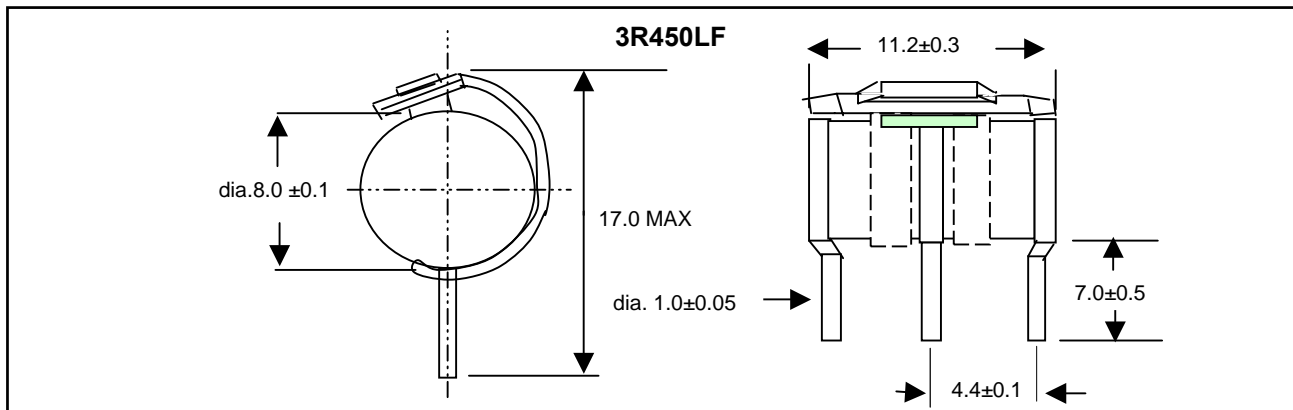


HAKEL GAS DISCHARGE TUBES - SALIENT FEATURES

- * **Stable breakdown voltage**
- * **High insulation resistance; enables the use in high temperature and humidity**
- * **Small capacitance; minimises transmission loss and noise even with high frequency range**
- * **High durability against surges and fast restorability**
- * **Long life**
- * **Free of radioactive substance**
- * **Inexpensive for superior performance**
- * **High mechanical strength prevents leak and breakdown from strong shock**
- * **Various types available**



Type 3 TERMINAL CERAMIC TYPE GD TUBE - 3R450LF			
Sl. No.	Description	Test Condition	Specification
ELECTRICAL CHARACTERISTICS, Test Methods as per ITU-T (CCITT) K.12			
1	D.C Spark-Over Voltage	100V/Sec	450 ±20%
2	Impulse Spark-Over Voltage	100V/μsec	<1100V
3	Impulse Spark-Over Voltage	1000V/μsec	<1200V
4	Impulse Transverse Delay	1000 V/μ sec	< 75ns
5	Insulation Resistance	100V	>10 ¹⁰ Ohm
6	Glow Voltage	10 mA	< 70 V
7	Arc Voltage	2 A	< 10 V
8	Capacitance	1 M Hz	< 1.5 pF
9	DC Holdover Voltage	135 V	< 150 ms
10	Impulse Discharge Current	10000 A, 8/20μsec	10 Operations
		200 A, 10/700μsec	500 Operations
		200 A, 10/1000μsec	300 Operations
11	Alternating Discharge Current	10 A r.m.s, 1 sec	10 Operations
12	Fail-safe Operating Time	10 A r.m.s.	< 5 Sec.

NOTES:

1. All dimensions are in mm
2. Electrodes are nickel plated where as all lead terminals are Tin plated.
3. Marking on the GD Tube
 - 3R450LF
 - 3 : 3 Terminal GD Tube
 - R : Dimension
 - 450 : 450 Volts
 - L : With leads
 - F : With Fail-safe Mechanism
 - HAKEL : Manufacturer
 - MM : Month of manufacture
 - YY : Year of manufacture

4. This model can be supplied without Leads, namely 3R450F

5. Blister Packing