

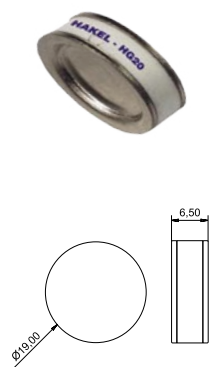
HG20

HG20 is a high power gas discharge tube intended for equipotential bonding between N and PE (equipotential busbar) in low voltage electrical systems of buildings. It fulfils construction demands posed on surge arresters class II. The recommended use is in the Lightning Protection Zones Concept at the boundaries of LPZ 0_B - 1 and more according to IEC 1312-1. They are produced of non-radioactive materials.

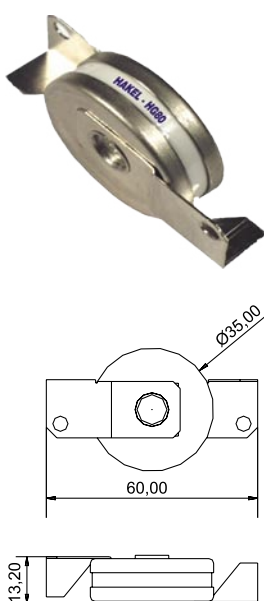
HG80, HG100

A compact range of high power gas discharge tubes intended for equipotential bonding between N and PE (equipotential busbar) in low voltage electrical systems of buildings. They fulfil construction demands posed on lightning arresters class I. The recommended use is in the Lightning Protection Zones Concept at the boundaries of LPZ 0_{A(B)} -1 according to IEC 1312-1. Both types are produced of non-radioactive materials.

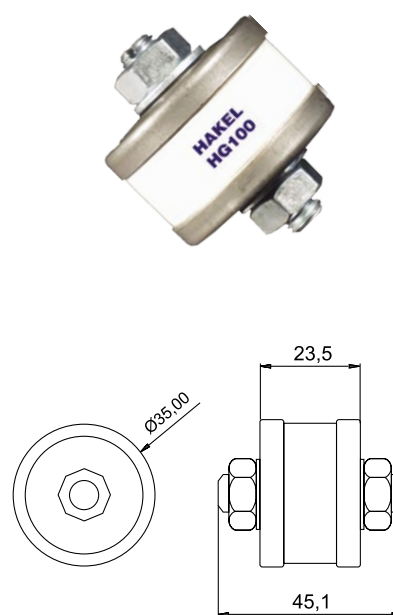
HAKELGAP 20



HAKELGAP 80



HAKELGAP 100



Type		HG20	HG80	HG100
Arrester class acc. to IEC 61643-1:1998 and EN 61643-11:2002		II	I	
Rated voltage (max. continuous operating voltage)	U_c	275V/50Hz		
Insulation resistance	R_i	< 1000M Ω		
Max. discharge current I_{max} (8/20)	I_{max}	50kA	120kA	150kA
Nominal discharge current I_n (8/20)	I_n	20kA	60kA	75kA
Max. lightning impulse current I_{imp} (10/350)	I_{imp}	20kA	80kA	100kA
Charge	Q	10As	40As	50As
Specific energy	W/R	100kJ/ Ω	1600kJ/ Ω	2500kJ/ Ω
Voltage protection level at I_{imp}	U_p	<1,3kV		
Follow current extinguishing capability at U_c	I_f	100A _{rms}		
Response time	t_A	<100ns		
Lightning impulse sparkover voltage 1,2/50 μ s	U_p	< 1,5kV		
Operating temperature range	θ	-40 to +80°C		
Recommended cross-section of the connected conductors		10mm ² Cu	35mm ² Cu	50mm ² Cu
Protection type		IP 00		
Weight	m	8g	55g	100g
Article number		00105	00106	00107