

Subminiature power relays - monostable



AZ954Y subminiature power relays • Monostable version available • Low profile for compact board spacing • **DC coils: up to 24 V DC** • Coil sensitivity to 114 mW • Life expectancy to 10 million operations • 2,54 mm pinning • Epoxy sealed for automatic wave soldering and cleaning • UL, CUR-E43203

Contacts

Contact number & arrangement	1C/O SPDT (1 Form C)	
Contact material	AgNi/Au	
Resistive load - (Light Duty)		
• max. switching power	30 W / 250 VA	
• max. switching current	1 A	
• max. switching voltage	150 V DC ①	300 V AC
• rated load	UL: 1 A / 30 V DC	2 A / 125 V AC
Resistance	≤ 100 mΩ initially	

Coil (Polarized)

Rated voltage	DC	3-5-6-9-12-24 V
Must release voltage		≥ 0,1 U _n
Power consumption	DC	0,2 W
Power at pickup voltage (typical value)		114 mW sensitive coil
Max. continuous dissipation		0,8 W 20°C, 0,6 W 40°C
Temperature rise at U _n coil		30 °C sensitive coil
Temperature		max. 130 °C

General data

Electrical life:	• AC1	10 ⁵ 2 A, 120 V AC
Mechanical life		10 ⁷
Operating time (typical value) at U _n coil		5 ms
Release time (typical value) at U _n coil		1 ms (with no coil suppression)
Dielectric strength insulation (at sea level for 1 min.)		1 250 Vrms contact to coil 750 Vrms contact to contact
Insulation resistance	20 °C, 500 V DC, 50% RH	100 MΩ
Dimensions (L x W x H)		15,7 x 10,7 x 11,8 mm
Weight		3,5 g
Enclosure		poliester P.B.T.
Terminals		alloy Cu-Sn
Ambient temperature		
• storing		-25...+105 °C
• operating (at U _n coil)		-25...+75 °C sensitive coil
Cover protection category		IP 67
Shock resistance		15 g
Vibration resistance		stable amplitude to 1,5 mm DA at 10...55 Hz
Solder bath temperature		max. 270 °C
Solvent temperature		max. 80 °C
Immersion Time		max. 30 s
Soldering time		max. 5 s

① At switching voltage above 30 V DC, contact Relpol S.A.

Notes: All values at 20 °C • Relays should not operate when the limit values are exceeded • Relay adjustment may be affected by undue pressure on relay case • Specifications subject to change without notice.



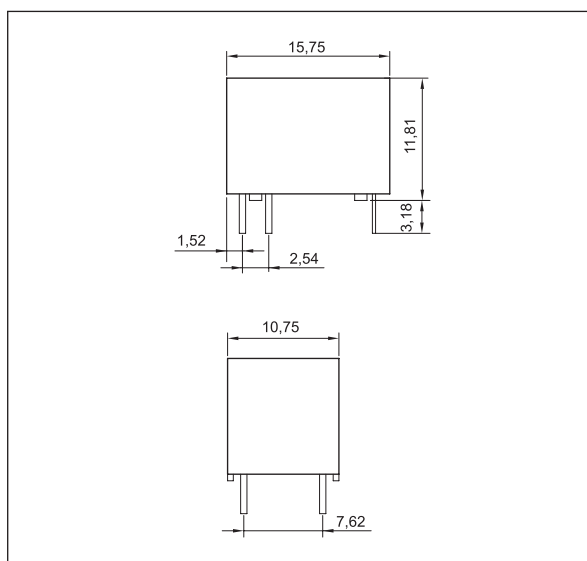
Subminiature power relays - monostable

Coil data - sensitive version

Table 1

Relay code	Nominal Coil V DC	Max. Continuous V DC	Coil Resistance $\pm 10\%$ Ω	Must Operate V DC
AZ954Y-1C-3DSE	3,0	6,0	45	2,25
AZ954Y-1C-5DSE	5,0	9,8	120	3,75
AZ954Y-1C-6DSE	6,0	12,0	180	4,50
AZ954Y-1C-9DSE	9,0	17,8	400	6,75
AZ954Y-1C-12DSE	12,0	23,6	700	9,0
AZ954Y-1C-24DSE	24,0	47,3	2 800	18,0

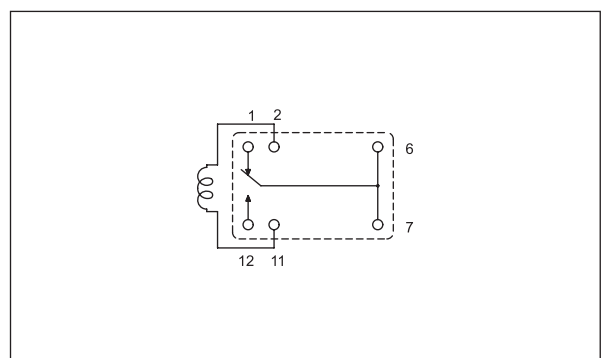
Dimensions



Ordering codes

See **Coil data** - Table 1

Connections diagram (pin side view)



Mounting holes layout

