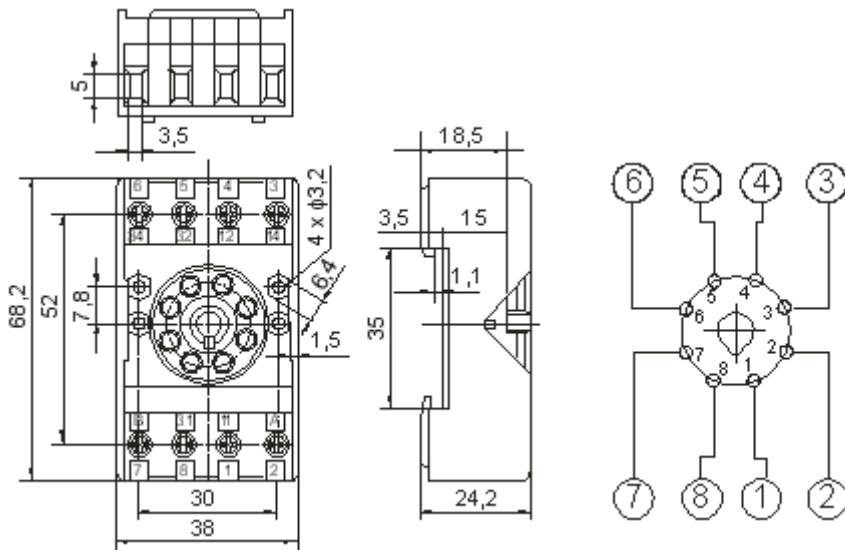
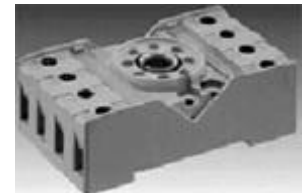
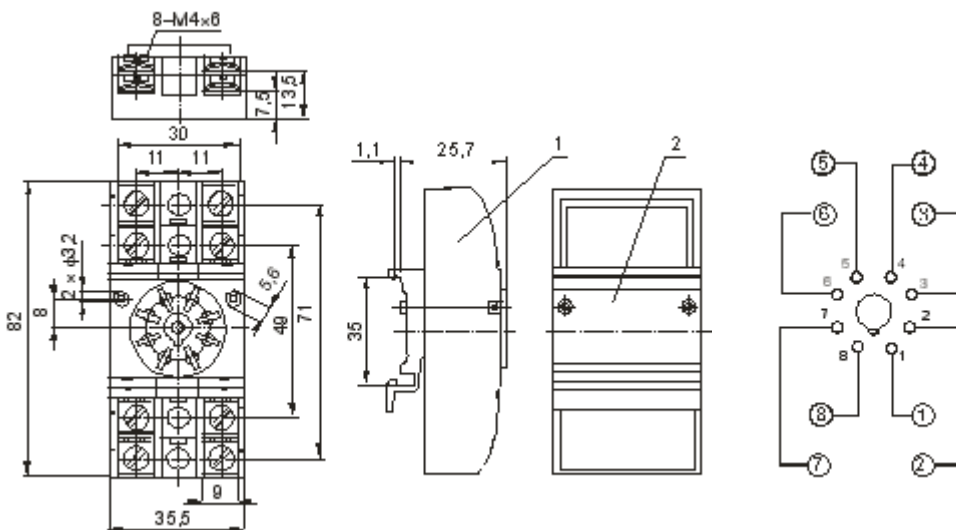


SOCKETS FOR R15 RELPOL RELAY

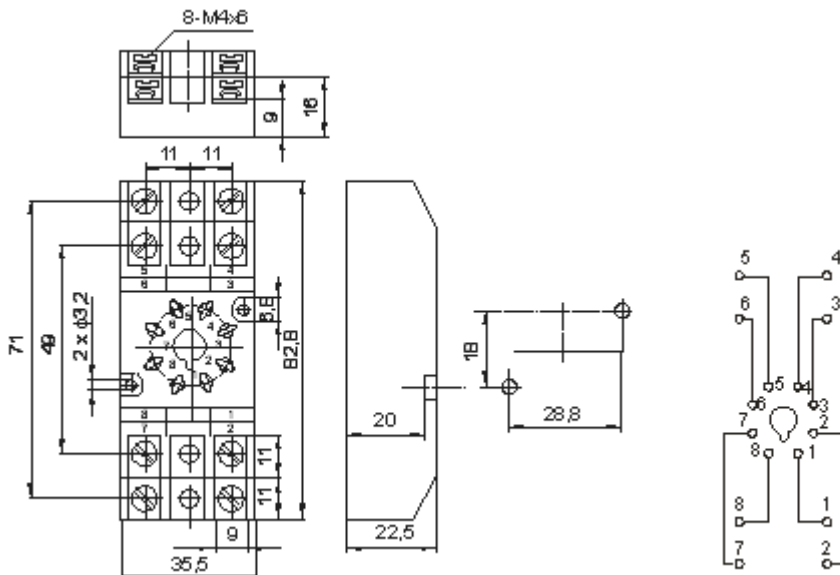
PZ8 socket for DIN-rail mounting - for relay R15 2C/O



GZU8 socket for DIN-rail mounting - for relay R15 2C/O

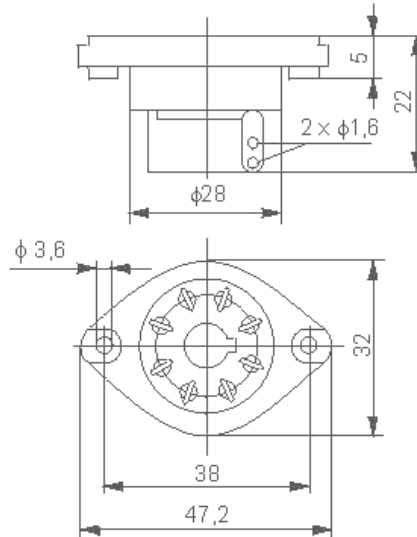


GZ8 socket for DIN-rail mounting - for relay R15 2C/O



GOP8 socket for Panel mounting - for relay R15 2C/O

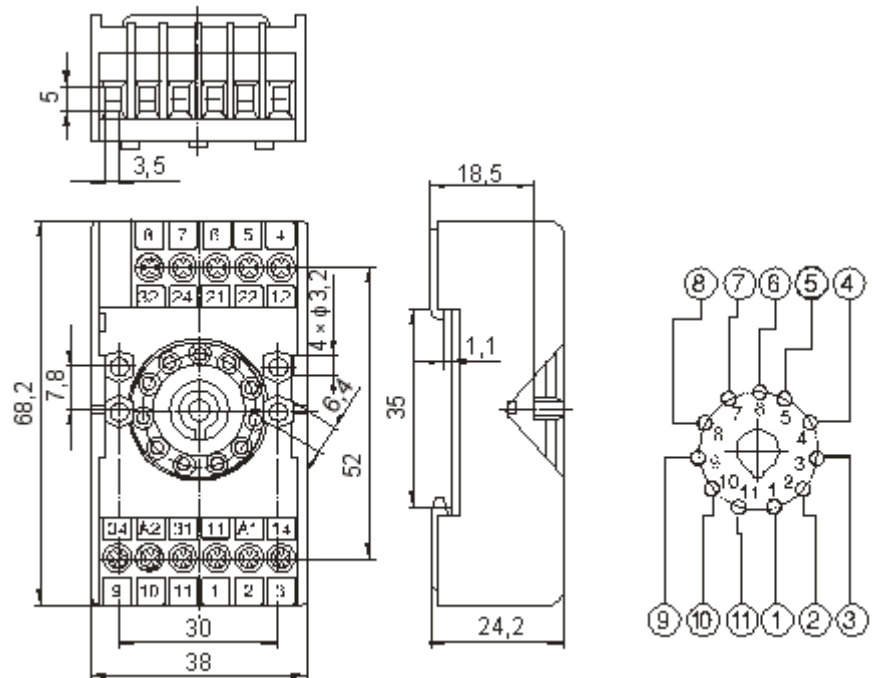
Use with spring clip R159 1051 and bracket R15 5922



PZ11 socket for DIN-rail mounting - for relay R15 3C/O



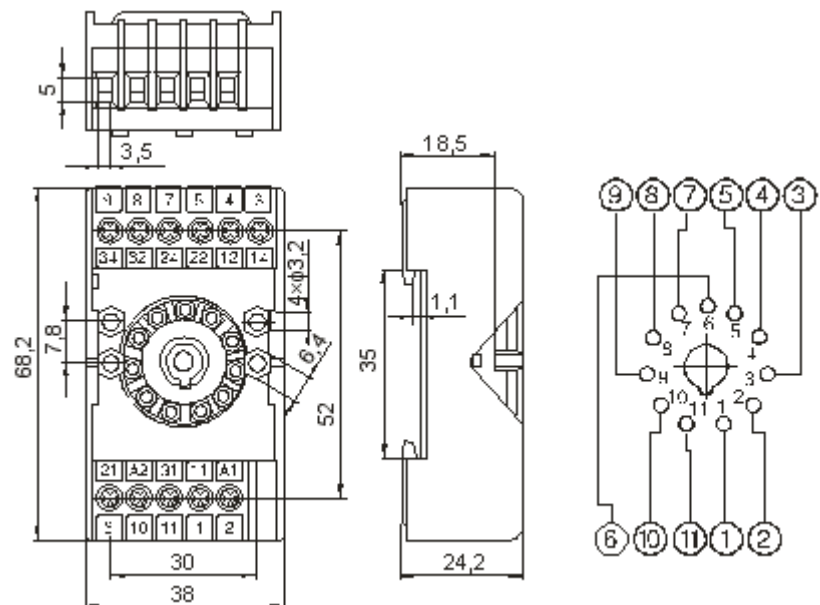
Use with clip PZ11 0031



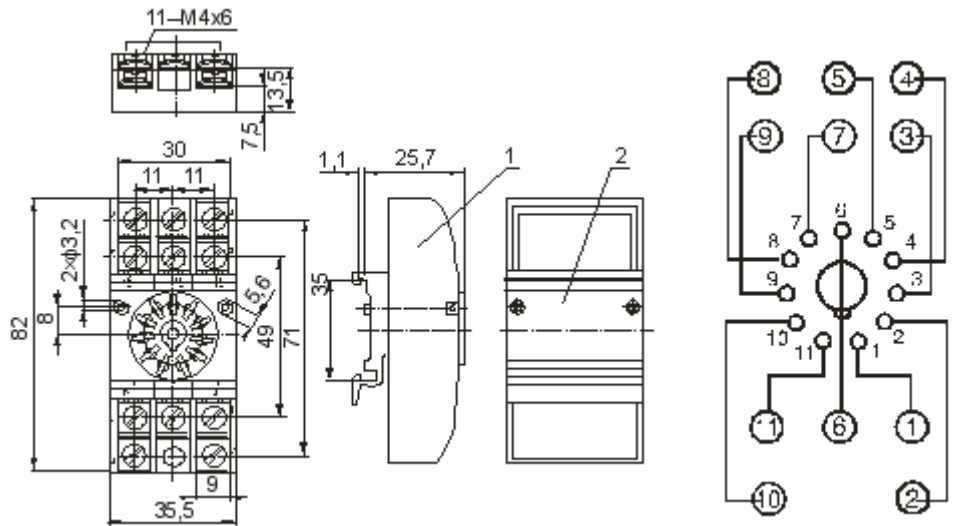
PS11 socket for DIN-rail mounting - for relay R15 3C/O



Use with clip PZ11 0031

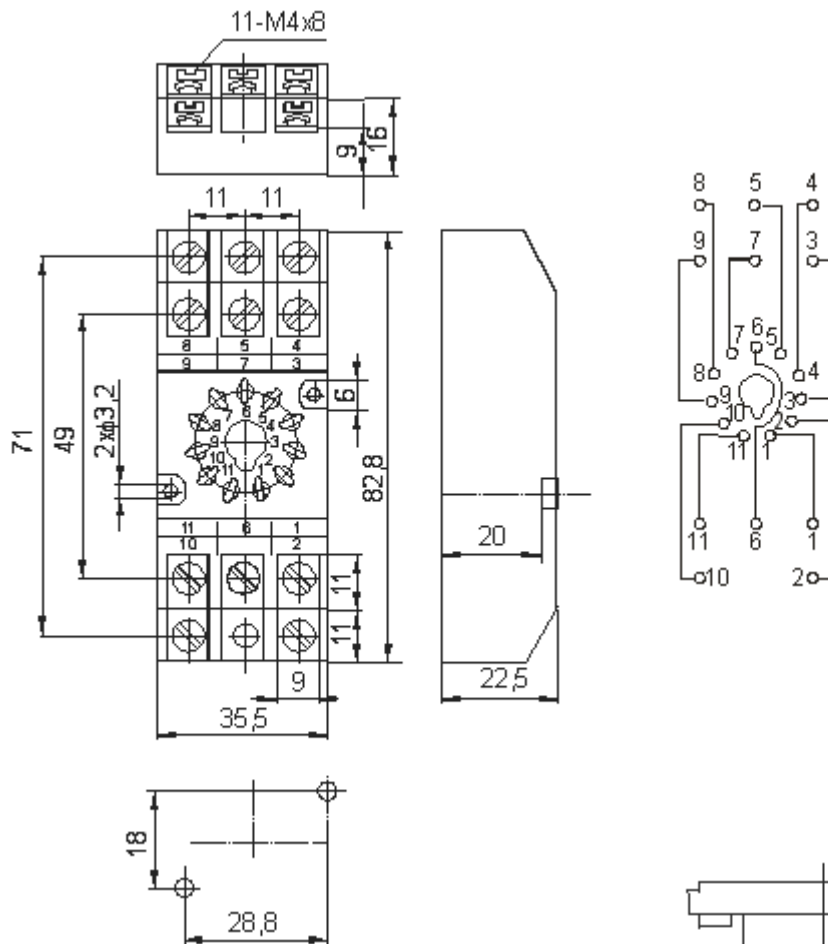


GZU11 socket for DIN-rail mounting - for relay R15 3C/O



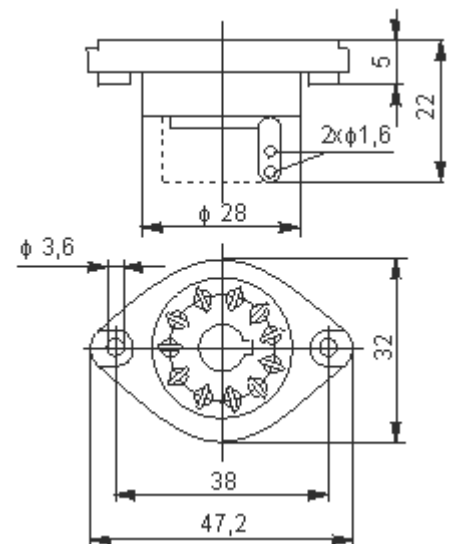
Use with clip GZU 1052

GZ11 socket for DIN-rail mounting - for relay R15 3C/O



Use with clip GZ 1050

GOP11 socket for Panel mounting - for relay R15 3C/O



Use with spring clip R159 1051 and bracket R15 5922