



- Built-in 6 A/AC1 electromechanical relays
- 35 mm DIN rail mounting, EN 50022; screw terminals 0,2...4 mm²
- Interconnection strips type **ZG20** available

Contacts

Contact number & arrangement	1C/O		
Contact material	AgSnO₂ , AgSnO ₂ /Au		
Max. switching voltage	AC/DC	250 V / 220 V	
Min. switching voltage	AC/DC	AgSnO ₂ : 12 V	AgSnO ₂ /Au: 100 mV
Rated load	AC1	AgSnO ₂ : 6 A / 250 V AC	AgSnO ₂ /Au: 50 mA / 30 V AC
	DC1	AgSnO ₂ : 6 A / 24 V DC	AgSnO ₂ /Au: 50 mA / 36 V DC
Min. switching current		AgSnO ₂ : 8 mA / 24 V	AgSnO ₂ /Au: 2 mA / 24 V
Max. inrush current		AgSnO ₂ : 15 A	AgSnO ₂ /Au: 50 mA ①
Rated current	6 A		
Max. breaking capacity	AC1	AgSnO ₂ : 1 500 VA	AgSnO ₂ /Au: 1,5 VA
Resistance - initially	≤ 50 mΩ		
Max. operating frequency	AC1	• at rated load	360 cycles/hour
		• no load	72 000 cycles/hour

Coil

Rated voltage	AC	90...230 V	
	DC	12- 24 -36 V	
	AC/DC	24- 230 V	
Must release voltage	AC:	≥ 0,2 U _n	AC: ≥ 0,6 U _n ②
	DC:	≥ 0,1 U _n	
Rated power consumption	AC	0,3...1,8 VA	
	DC	0,3...1,0 W	

Insulation

Insulation category	C250		
Insulation rated voltage	400 V AC		
Dielectric strength	• coil - contact	4 000 V AC	
	• contact - contact	1 000 V AC	

General data

Operating time (typical value)	AC: 7 ms	DC: 6 ms	
Release time (typical value)	AC: 15 ms	DC: 8 ms	
Electrical life	• resistive AC1	10 ⁵	5 A, 250 V AC
	• cos φ = 0,4	> 2 x 10 ⁵	2 A, 250 V AC
Mechanical life (cycles)	> 2 x 10 ⁷		
Dimensions (L x W x H)	80 x 6,2 x 93,8 mm		
Weight	40 g		
Ambient temperature	• storing	-40...+70 °C	
	• operating	-40...+55 °C	
		-40...+60 °C 12, 24 V DC	
Protection category	IP 20		

Standard contact material and standard coil rated voltages marked with bolt type.

① Max. inrush current 50 mA at 30 V AC or 36 V AC

② It refers to PI6-1P-230V AC/DC-10 - relay with electronic filter



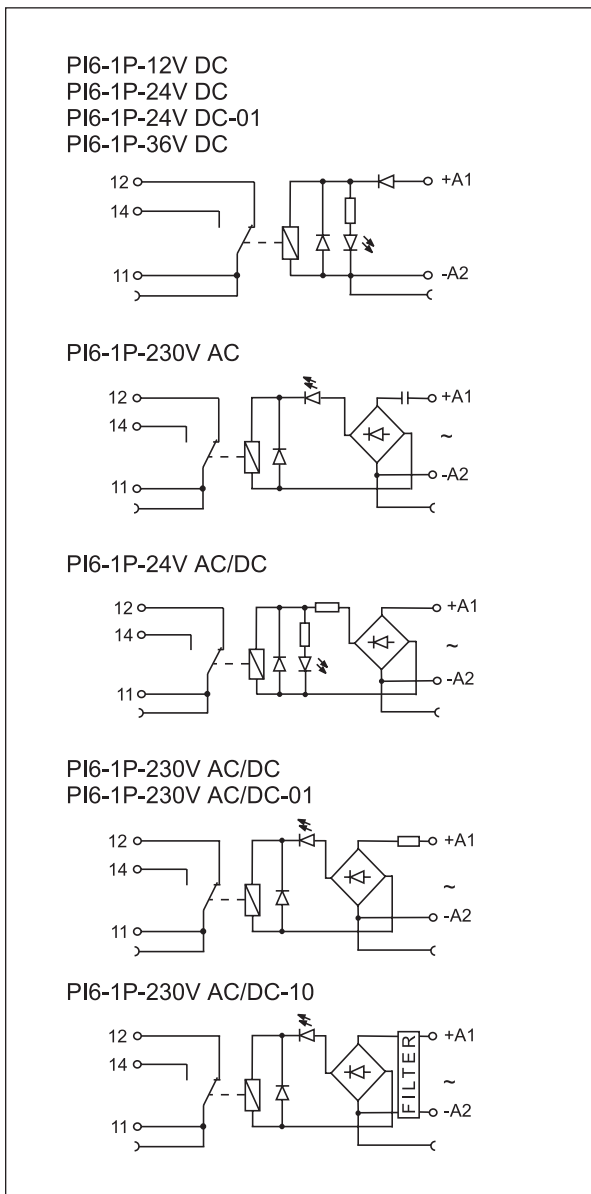
Coil data

Table 1

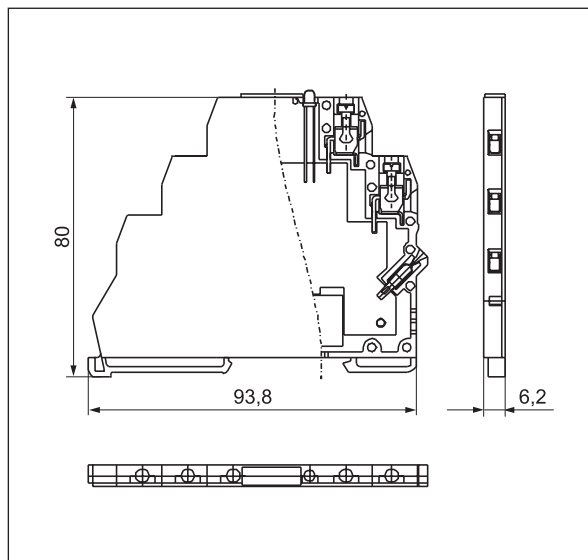
Relay code	Rated voltage U_n	Coil power (U_n)
PI6-1P-12V DC	12 V DC	0,3 W
PI6-1P-24V DC	24 V DC	0,36 W
PI6-1P-24V DC-01 *	24 V DC	0,36 W
PI6-1P-36V DC	36 V DC	0,7 W
PI6-1P-230V AC	90...230 V AC	0,4...1,8 VA
PI6-1P-24V AC/DC	24 V AC/DC	0,48 VA/W
PI6-1P-230V AC/DC	230 V AC/DC	1,0 VA/W
PI6-1P-230V AC/DC-01 *	230 V AC/DC	1,0 VA/W
PI6-1P-230V AC/DC-10 **	230 V AC/DC	1,6 VA/W

Standard coil rated voltages marked with bold type.
 * - gold plated contacts ** - electronic filter

Connection diagrams



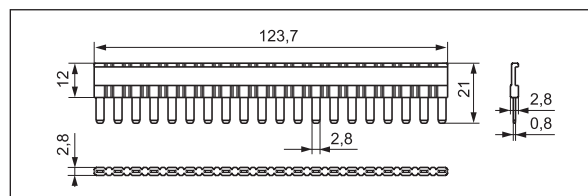
Dimensions



Mounting

Relays **PI6-1P** are designed for mounting on 35 mm DIN rail mount, EN 50022.

interconnection strip type **ZG20** for bridging of common outputs and inputs available colours of strips: red **ZG20-1**, black **ZG20-2**, blue **ZG20-3**.



Ordering codes

See **Coil data** - Table 1

