

R4 MINIATURE INDUSTRIAL RELAY

COIL DATA

Rated voltage	5...220 V DC 6...240 V AC 50/60 Hz
Must release voltage	0,1 U _n (DC) 0,2 U _n (AC)
Operating range of supply voltage	see tables below
Rated power consumption	0,9 W (DC) 1,9 VA (AC)



Coil data - DC version

Coil code	Rated voltage V DC	Coil resistance +/- 10% at 20°C, Ohm	Operating range of supply voltage at 20°C, V DC	
			min. (at 20°C)	max. (at 55°C)
1005	5	28	4	5.5
1006	6	40	4.8	6.6
1012	12	160	9.6	13.2
1024	24	640	19.2	26.4
1048	48	2600	38.4	52.8
1060	60	4000	48	66
1080	80	7100	64	88
1110	110	13600	88	121
1125	125	16000	100	137.5
1220	220	54000	176	242

Coil data - AC 50/60 Hz version

Coil code	Rated voltage V AC	Coil resistance +/- 10% at 20°C, Ohm	Operating range of supply voltage at 20°C, V AC	
			min. (at 20°C)	max. (at 55°C)
5006	6	10	4.8	6.6
5012	12	38	9.6	13.2
5024	24	150	19.2	26.4
5042	42	470	33.6	46.2
5048	48	680	38.4	52.8
5060	60	930	48	66
5080	80	1680	64	88
5110	110	3100	88	121
5120	120	3950	96	132
5127	127	4200	101.6	139
5220	220	14100	176	242
5230	230	15400	184	253
5240	240	17600	192	264

CONTACTS DATA

Contact number & arrangement	2C/O, 4C/O
Contact material	AgNi AgNi/Au 0,2µm AgNi/Au 5µm

Voltage

Max. switching voltage AC/DC	250 V / 250 V
Min. switching voltage AC/DC	5 V

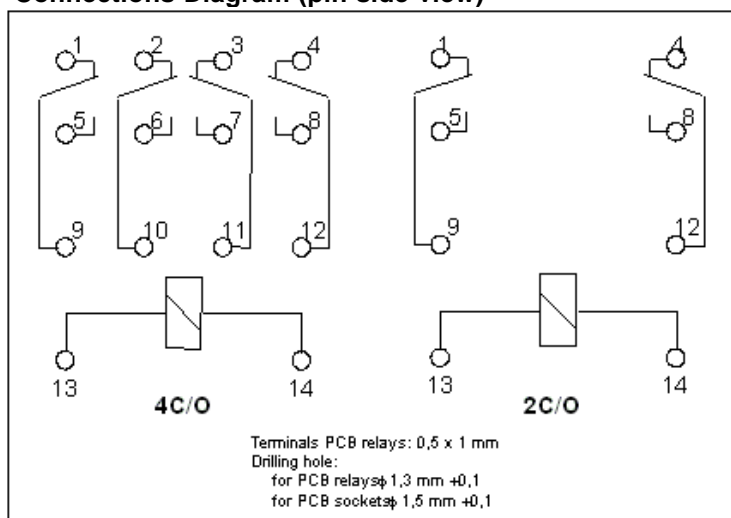
Current

Rated load AC1	5 A / 250 V AC
DC1	5 A / 24 V DC
Min. switching current	10 mA
Rated current	5 A
Max. breaking capacity	1 250 VA
Resistance	< 100 mOhm at 100 mA, 24 V
Max. operating frequency	
at rated load	1 200 cycles/hour
no load	18 000 cycles/hour

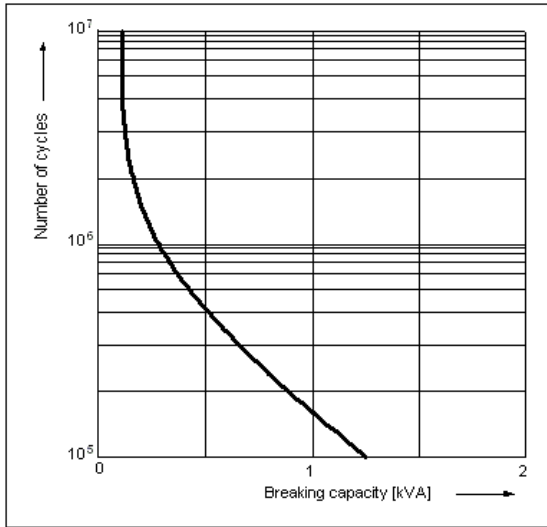
INSULATION DATA

Insulation category	B250
Voltage	
Insulation rated voltage	250 V AC
Dielectric strength	
coil-contact	2 000 V AC
contact-contact	750 V AC
pole-pole	2 000 V AC
Contact-coil distance	
clearance	> 2,6 mm
creepage	> 4 mm

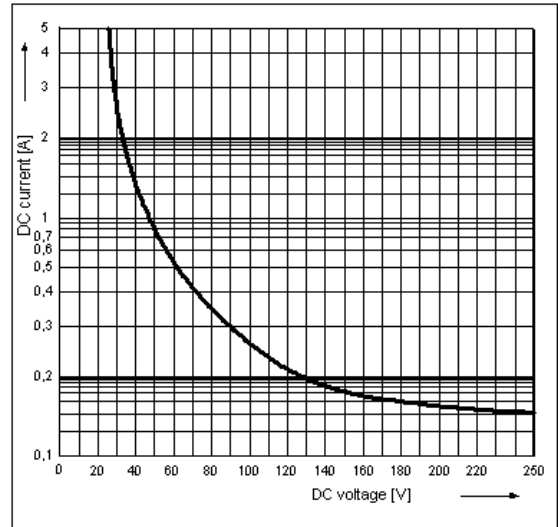
Connections Diagram (pin side view)



ELECTRICAL LIFE AT AC RESISTIVE LOAD



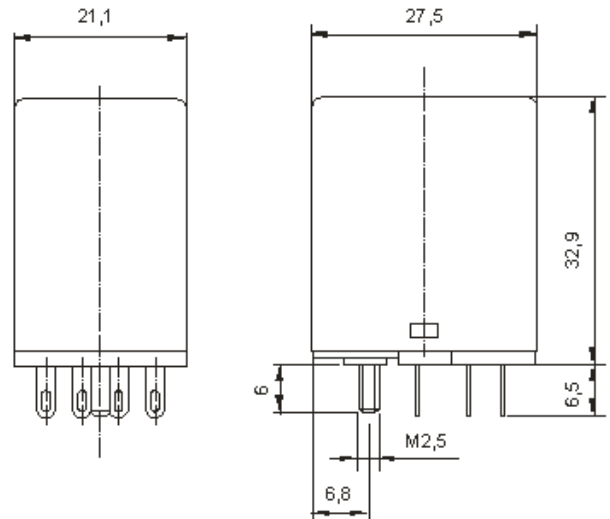
MAX. DC RESISTIVE LOAD BREAKING CAPACITY



GENERAL DATA

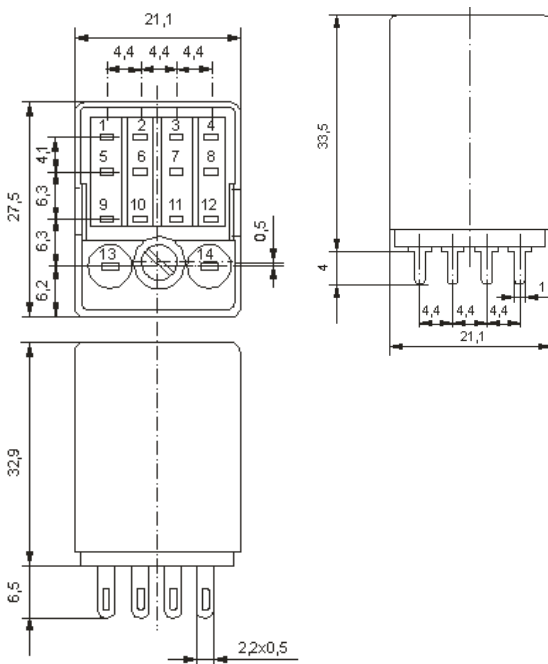
Operating time (typical values)	10 ms (AC), 13 ms (DC)
Release time (typical values)	8 ms (AC), 3 ms (DC)
Electrical life	
resistive	10 ⁵ at 5 A, 250 V
cos φ	see diagram
Mechanical life (cycles)	> 2 x 10 ⁷
Dimensions (L x W x H)	27,5 x 21,2 x 32,9 mm (33,5 mm - PCB version, 35,5 mm - WT version)
Weight	35 g
Ambient temperature	
storing	-40...+85°C
operating	-40...+70°C
Cover protection category	IP40
Shock resistance	10 g
Vibration resistance	5 g for 10...150 Hz
Solder bath temperature	max. 270°C
Soldering time	max. 5 s

with threaded bolt

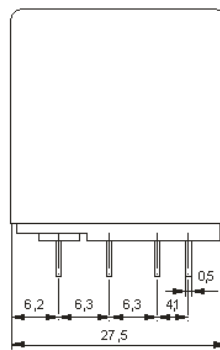


DIMENSIONS

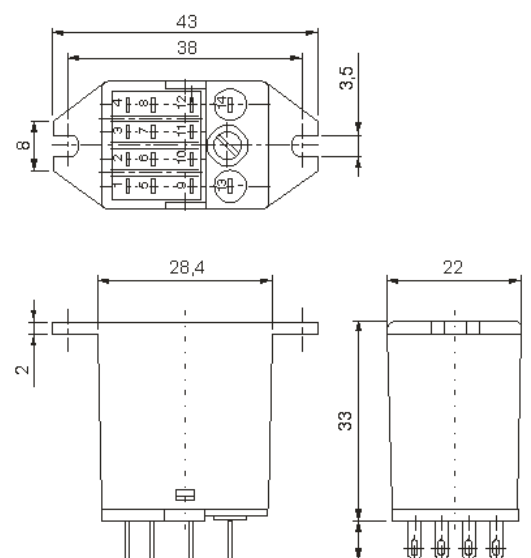
plug-in version



PCB version

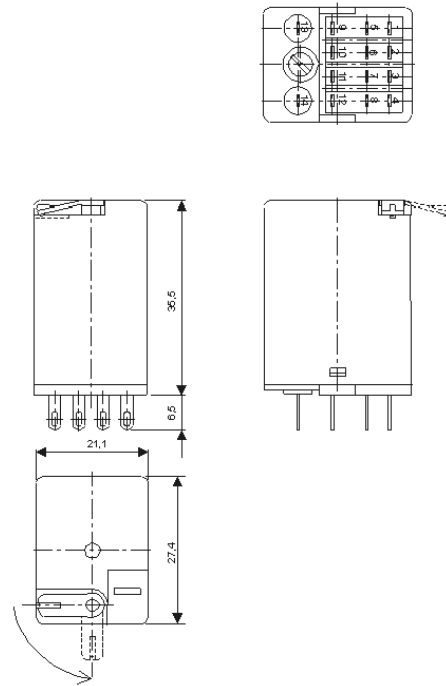
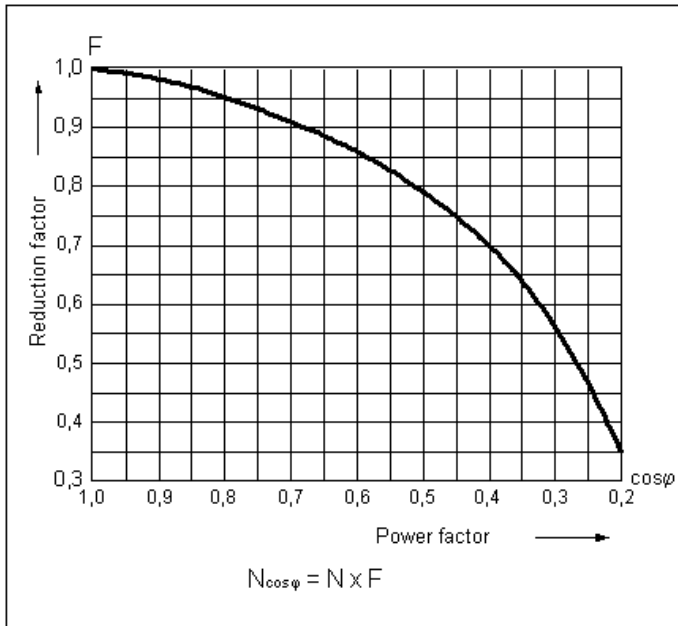


version with mounting flange



ELECTRICAL LIFE REDUCTION FACTOR AT AC INDUCTIVE LOAD

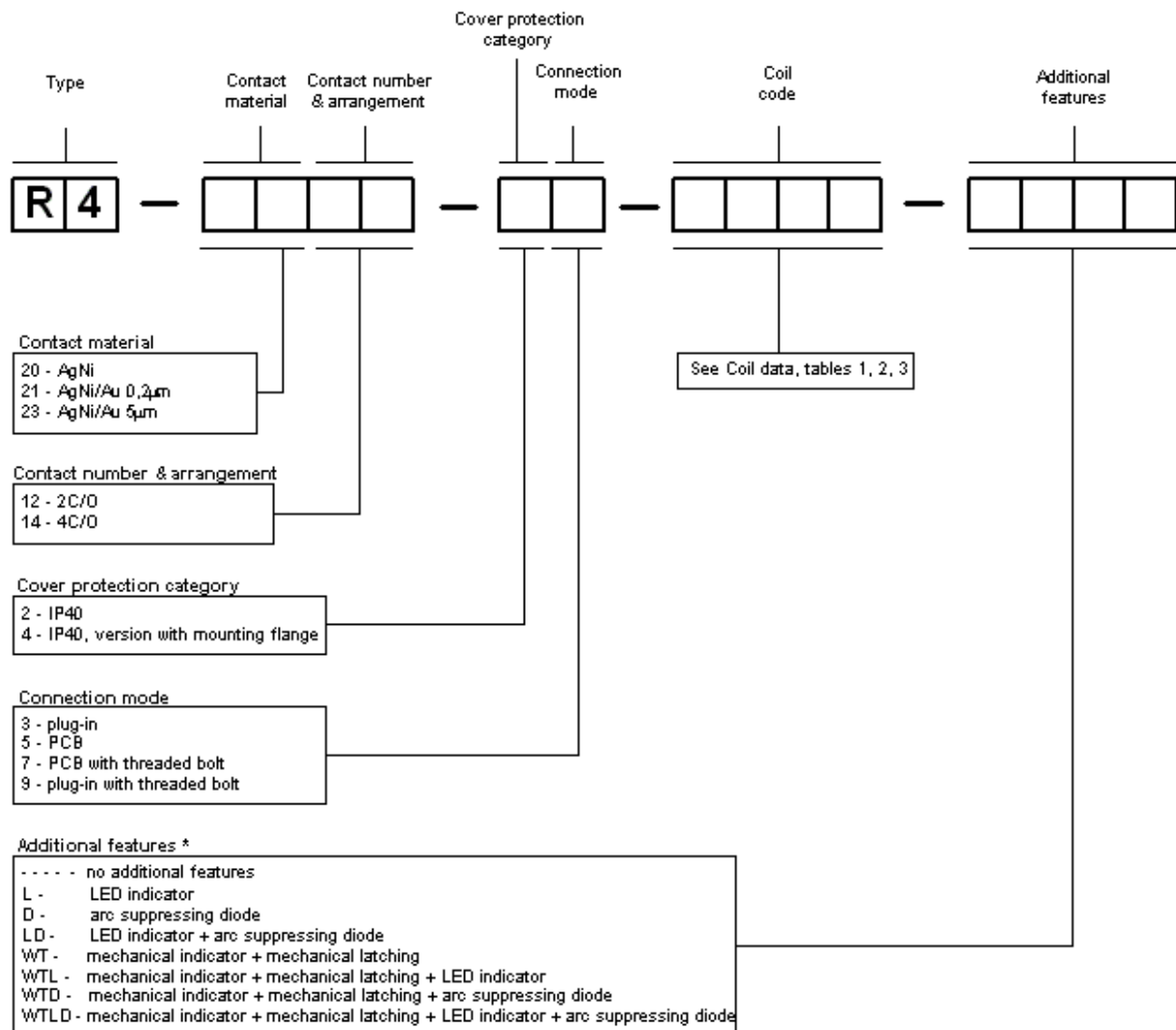
with push-to-test-turn-to-lock device



MOUNTING:

- direct PCB mounting,
- flange mounting,
- DIN rail mount socket with screw terminal GZ4 or GZW4 (clip G4 1051) + modules for GZW4

HOW TO ORDER R4 RELAY: ORDERING CODES



* D, LD, WKD, WKLD - only for DC coils