

- ▶ Miniature power relay
- ▶ Plug-in housing
- ▶ 2 change over contacts



## Technical data

### 1. Mechanical design

Self-extinguishing plastic housing, IP rating IP40

Mounting position: any

Weight: 35g

### 2. Coil

AC-version:

Type	Rated voltage AC
RA 524L	24V AC
RA 615L	115V AC
RA 730L	230V AC

Rated consumption (50Hz): 1.9VA

Rated frequency: 50/60 Hz

Must release voltage:  $\geq 0.2 \times U_N$

Tolerance: 0.8 to 1.1 x  $U_N$

DC-version:

Type	Rated voltage DC
RA 012L	12V DC
RA 024L	24V DC

Rated consumption: 0.9W

Must release voltage:  $\geq 0.1 \times U_N$

Tolerance: 0.8 to 1.1 x  $U_N$

### 3. Contacts

Switching voltage: max. 250V AC/DC

min. 5V AC/DC

Switching current:

max. 10A

min. 50mA

Inrush current:

-

Switching capacity: 2500VA (10A / 250V AC)

240W (10A / 24V DC)

Resistance:  $\leq 100m\Omega$  at 100mA / 24V

Switching frequency: 300/min without load

20/min at rated load

Contact material:

AgCd

### 4. General data

Response time: AC 15ms

DC 15ms

Release time:

AC 10ms

DC 10ms

Mechanical life:  $10 \times 10^6$  operations

Electrical life:  $10 \times 10^4$  operations at rated load

Vibration resistance: 5g (10 to 150 Hz)

Shock resistance: 10g

### 5. Insulation

Coil - contact (50Hz): 2000V AC

Contact - contact: 750V AC

Pole - pole: 2000V AC

Insulation category: B250 (according to DIN VDE 110)

Surge voltage: -

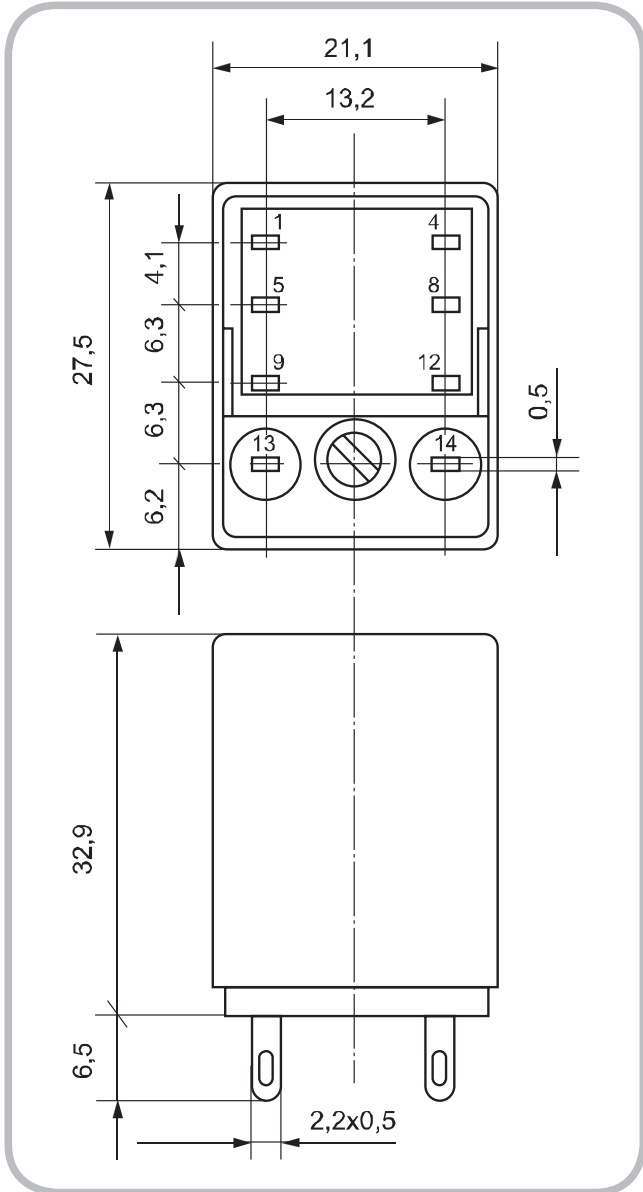
### 6. Ambient conditions

Ambient temperature: -40 to +70°C (according to IEC 68-1)

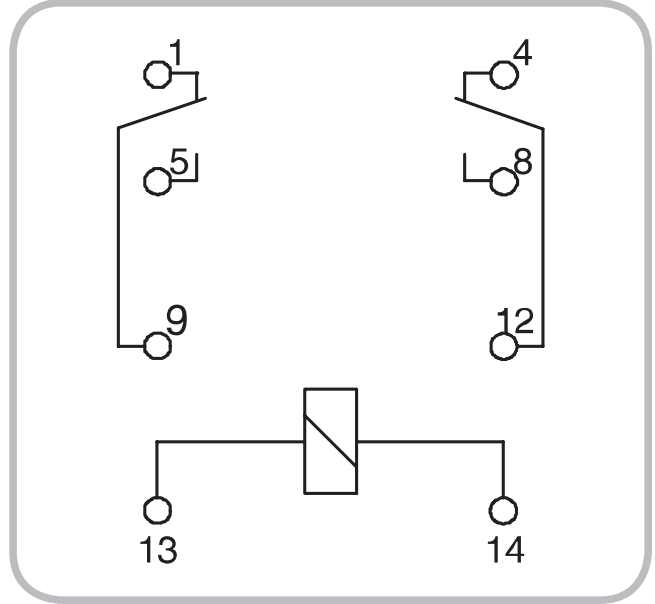
Storage temperature: -40 to +85°C

Pollution degree: 2 (according to IEC 664-1)

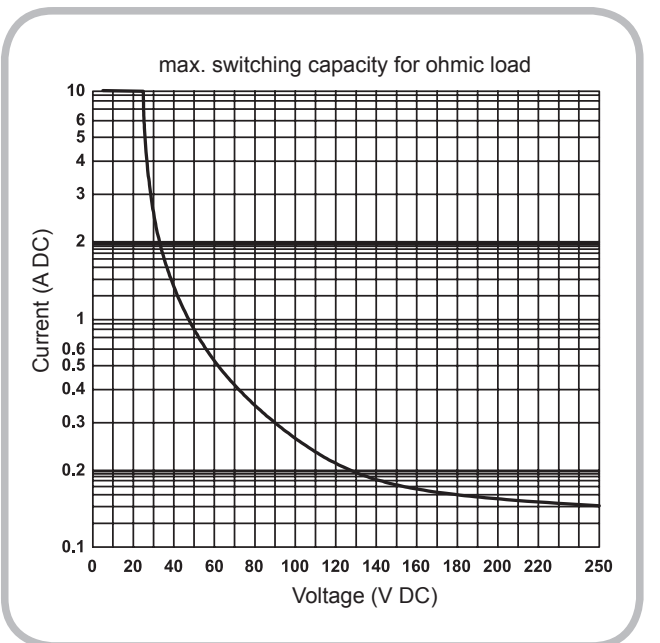
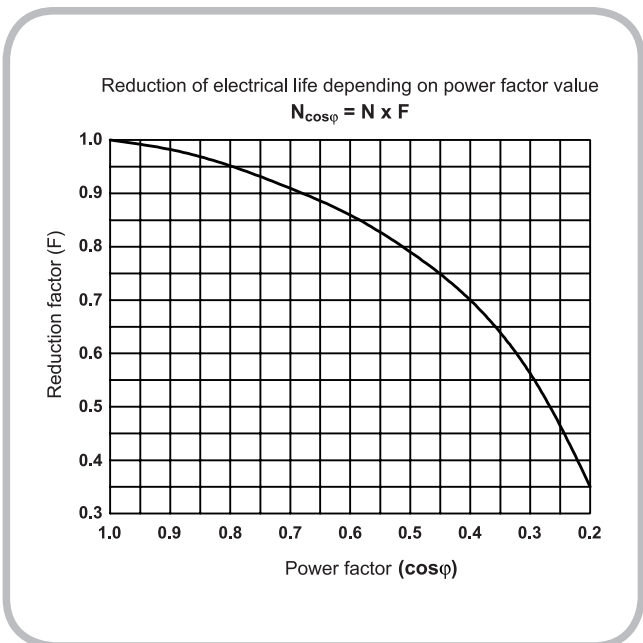
### Dimensions



### Connections



### Reduction factors



## Socket and accessories

ES 15/4, ES 15/4N, ES 15/4S, RSS214

### 1. General data

Self-extinguishing plastic housing  
 Mounted on DIN-Rail according to EN 50022  
 Mounting position: any  
 Shockproof terminal connection according to VBG 4  
 (Philips Gr.1 required), IP rating IP 20  
 Initial torque: 0.7Nm  
 Screw terminals:  
 1 x 0.5 to 2.5mm<sup>2</sup> without multicore cable end  
 2 x 0.5 to 1.5mm<sup>2</sup> with/without multicore cable end  
 1 x 4mm<sup>2</sup> flexible without multicore cable end  
 2 x 2.5mm<sup>2</sup> flexible without multicore cable end  
 Ambient temperature: -40 to +85°C ES 15/4, ES 15/4N, ES 15/4S  
 -25 to +100°C RSS214  
 Surge voltage: >3000V  
 Approvals: UL

Type	Plug-in module	Name plate	Retaining clip
ES 15/4 (TFE 14)	Type x	included	HB/RM-RA
ES 15/4N	Type x2		
ES 15/4S	Type x2		
RSS214	EM x		

#### Plug-in modules type x (TF series)

Type	Function	Height 27mm (mounted)
Typ 1 (TFD2)	Diode 6-220V DC (+A2, -A1)	
Typ 2 (TFD1)	Diode 6-220V DC (- A2, +A1)	
Typ 3 (TFL2)	LED + Diode 6-24V DC (+A2, -A1)	
Typ 4 (TFL1)	LED + Diode 6-24V DC (-A2, +A1)	
Typ 5 (TFR)	RC module 110-230V AC	
Typ 6 (TFL3)	LED 6-24V AC/DC	
Typ 7 (TFV1)	Varistor 24V AC	
Typ 8 (TFV2)	Varistor 230V AC	
Typ 9 (TFL4)	LED 110-230V AC/DC	

#### Plug-in modules type x2 (TP series)

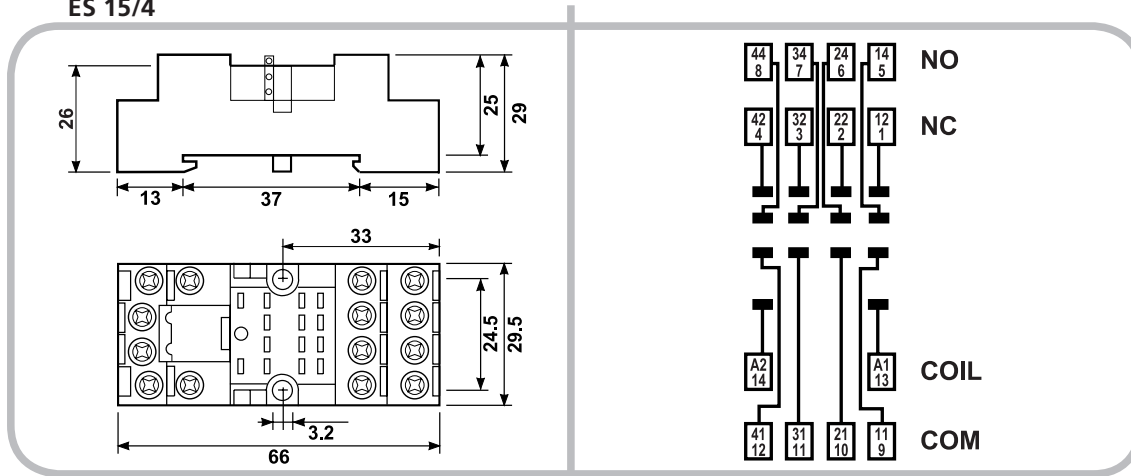
Type	Function	Height 27mm (mounted)
Typ 12 (TPD2)	Diode 6-220V DC (+A2, -A1)	
Typ 22 (TPD1)	Diode 6-220V DC (- A2, +A1)	
Typ 32 (TPL2)	LED + Diode 6-24V DC (+A2, -A1)	
Typ 42 (TPL1)	LED + Diode 6-24V DC (-A2, +A1)	
Typ 52 (TPR)	RC module 110-230V AC	
Typ 62 (TPL3)	LED 6-24V AC/DC	
Typ 72 (TPV1)	Varistor 24V AC	
Typ 82 (TPV2)	Varistor 230V AC	
Typ 92 (TPL4)	LED 110-230V AC/DC	

#### Plug-in modules EM series

Type	Function	Height 28mm (mounted)
EM 03	RC module 110-230V AC	
EM 04	Varistor 24V AC	
EM 05	Varistor 230V AC	
EM 10	LED 110-230V AC	
EM 11	LED 6-24V AC/DC	
EM 12	LED+Diode 6-24V DC	

## Dimensions

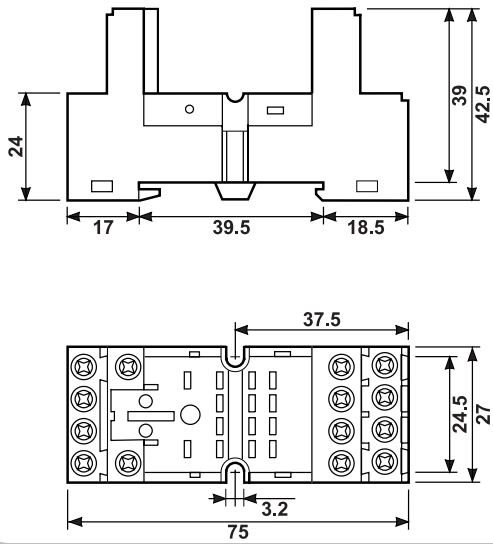
ES 15/4



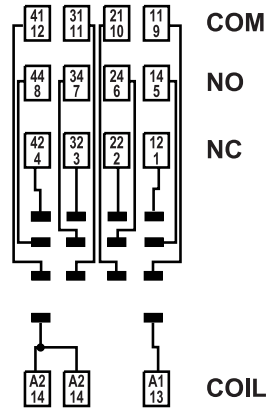
## Connections

**Dimensions**

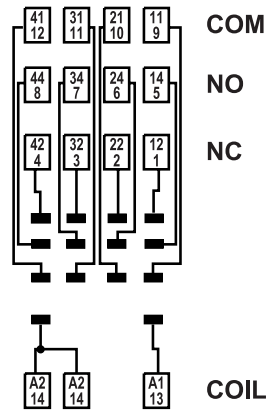
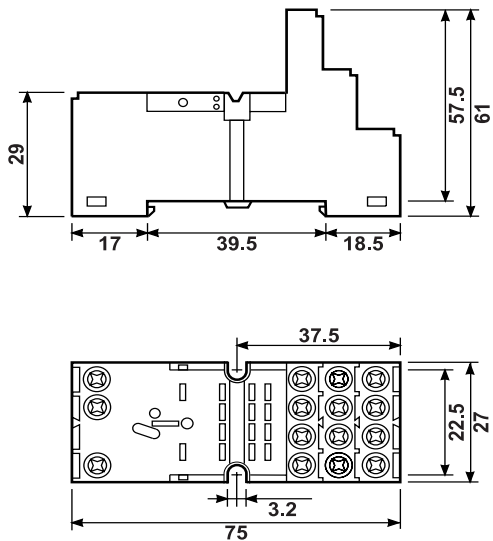
ES 15/4N



**Connections**



ES 15/4S



RSS214

