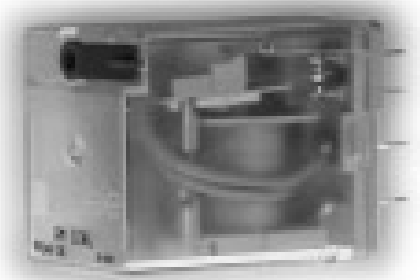


- ▶ Miniature power relay
- ▶ Plug-in housing
- ▶ 4 change over contacts
- ▶ VDE, UL



▶ Technical data

▶ 1. Mechanical design

Self-extinguishing plastic housing, IP rating IP40
 Mounting position: any
 Weight: 35g

▶ 2. Coil

AC-version:

Type	Rated voltage AC
RM 512L	12V
RM 524; RM 524L; RM 524.02LD	24V
RM 548L	48V
RM 615L; RM 615.02LD	115V
RM 730; RM 730L; RM 730.02LD	230V

L LED
 LD LED and regenerative diode
 .02 gold-plated contacts

Rated consumption (50Hz): 1.9VA
 Rated frequency: 50/60 Hz
 Must release voltage: $\geq 0.2 \times U_N$
 Tolerance: 0.8 to 1.1 x U_N

DC-Version:

Type	Rated voltage DC
RM 012L; RM 012.02LD	12V
RM 024; RM 024L; RM 024LD; RM 024.02LD	24V
RM 048L; RM 048.02LD	48V
RM 060L; RM 060.02LD	60V
RM 110L; RM 110.02LD	110V
RM 220L; RM 220.02LD	220V

L LED
 LD LED and regenerative diode
 .02 gold-plated contacts

Rated consumption: 0.5W
 Must release voltage: $\geq 0.1 \times U_N$
 Tolerance: 0.8 to 1.1 x U_N

▶ 3. Contacts

Switching voltage: max. 250V AC/DC
 min. 5V AC/DC
 Switching current: max. 5A
 min. 10mA
 Inrush current: 10A
 Switching capacity: 1250VA (5A / 250V AC)
 120W (5A / 24V DC)
 Resistance: $\leq 100m\Omega$ at 100mA / 24V
 Switching frequency: 300/min without load
 20/min at rated load
 Contact material: AgNi

▶ 4. General data

Response time AC 10ms
 DC 13ms
 Release time AC 8ms
 DC 3ms
 Mechanical life: 20 x 10⁶ operations
 Electrical life: 10 x 10⁴ operations at rated load
 Vibration resistance: 5g (10 to 150 Hz)
 Shock resistance: 10g

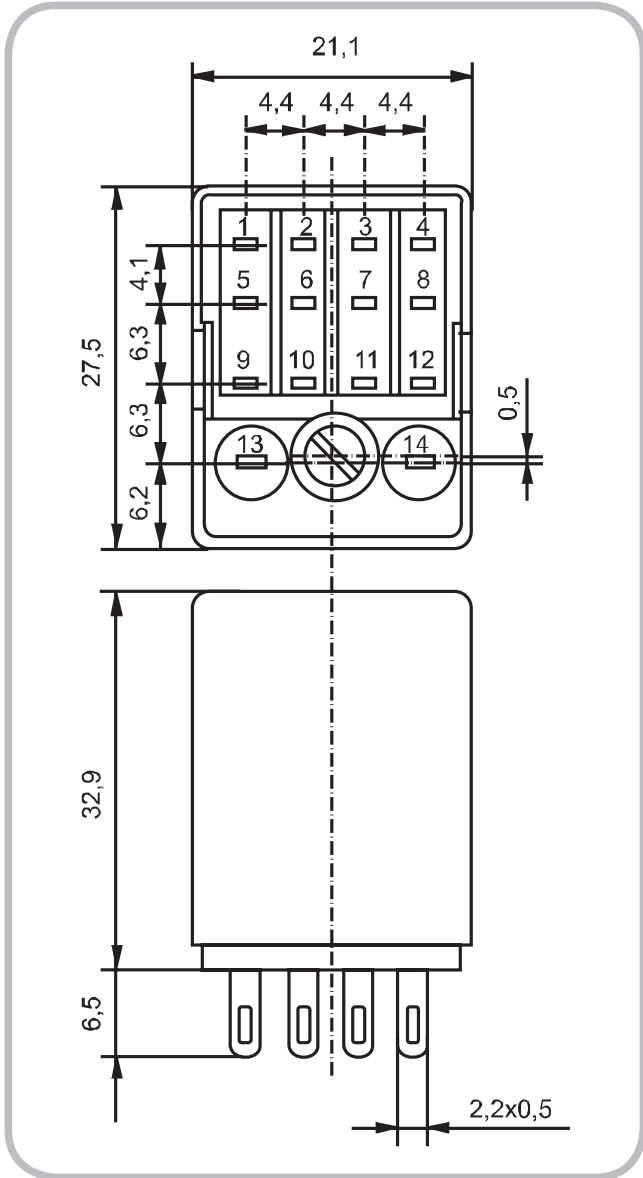
▶ 5. Insulation

Coil - contact (50Hz): 2000V AC
 Contact - contact: 1000V AC
 Pole - pole: 2000V AC
 Insulation categorie: B250 (according to DIN VDE 110)
 Surge voltage: 2.5kV

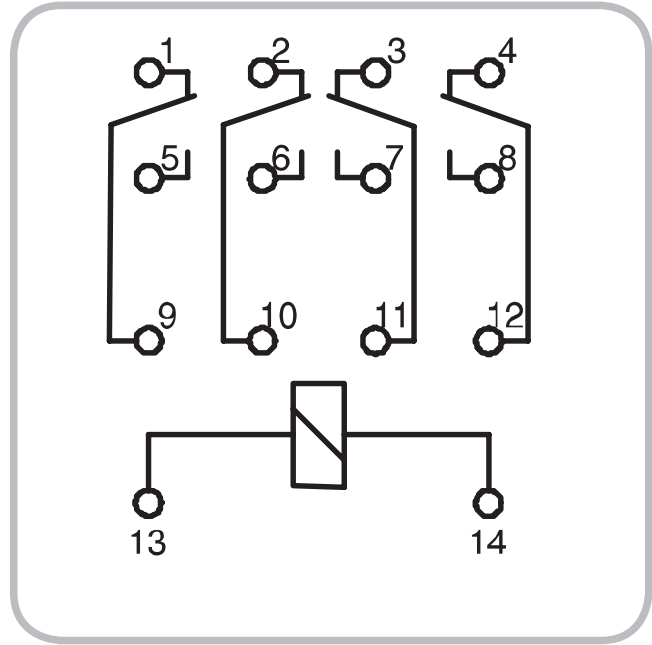
▶ 6. Ambient conditions

Ambient temperature: -40 to +70°C (according to IEC 68-1)
 Storage temperature: -40 to +85°C
 Pollution degree: 2 (according to IEC 664-1)

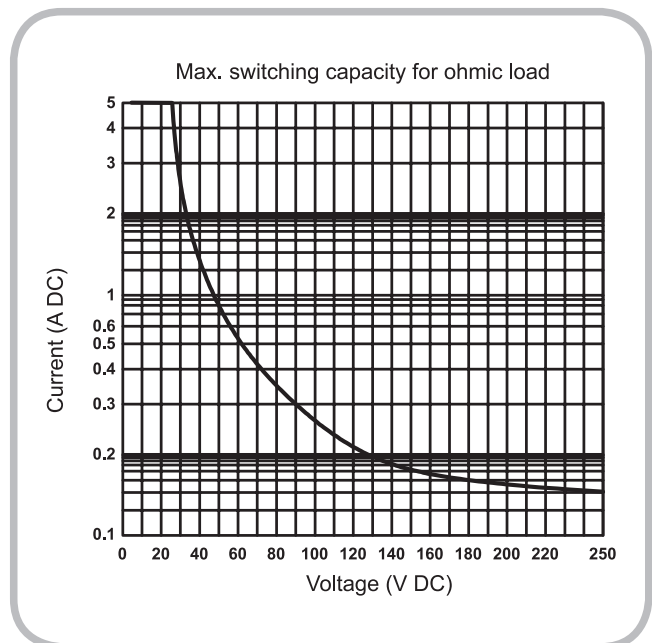
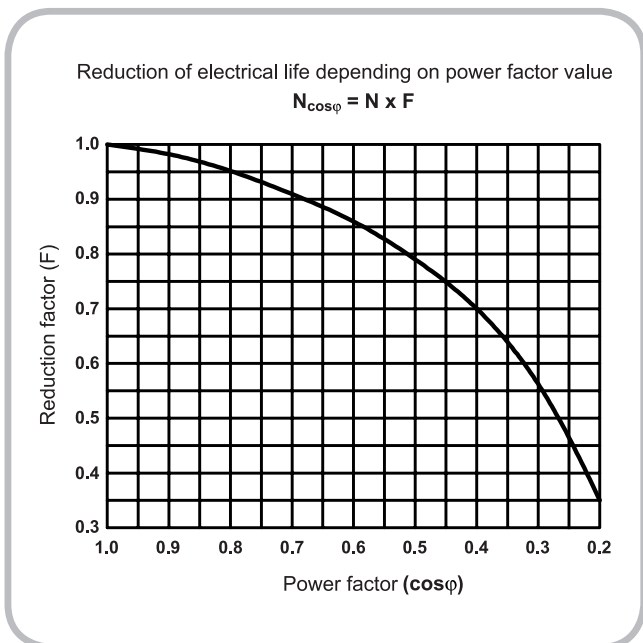
► Dimensions



► Contacts



► Reduction factors



Socket and accessories


ES 15/4, ES 15/4N, ES 15/4S, RSS214

1. General data


- Self-extinguishing plastic housing
- Mounted on DIN-Rail according to EN 50022
- Mounting position: any
- Shockproof terminal connection according to VBG 4 (Philips Gr.1 required), IP rating IP 20
- Initial torque: 0.7Nm
- Screw terminals:
 - 1 x 0.5 to 2.5mm² without multicore cable end
 - 2 x 0.5 to 1.5mm² with/without multicore cable end
 - 1 x 4mm² flexible without multicore cable end
 - 2 x 2.5mm² flexible without multicore cable end
- Ambient temperature: -40 to +85°C ES 15/4, ES 15/4N, ES 15/4S
 -25 to +100°C RSS214
- Surge voltage: >3000V
- Approvals: UL

Type	Plug-in modules	Name plate	Retaining clip
ES 15/4 (TFE 14)	Type x	included	HB/RM-RA
ES 15/4N	Type x2		
ES 15/4S	Type x2		
RSS214	EM		


Plug-in modules Type x (TF series)

Type	Function	Height 27mm (mounted)
Typ 1 (TFD2)	Diode 6-220V DC (+A2, -A1)	
Typ 2 (TFD1)	Diode 6-220V DC (- A2, +A1)	
Typ 3 (TFL2)	LED + Diode 6-24V DC (+A2, -A1)	
Typ 4 (TFL1)	LED + Diode 6-24V DC (-A2, +A1)	
Typ 5 (TFR)	RC module 110-230V AC	
Typ 6 (TFL3)	LED 6-24V AC/DC	
Typ 7 (TFV1)	Varistor 24V AC	
Typ 8 (TFV2)	Varistor 230V AC	
Typ 9 (TFL4)	LED 110-230V AC/DC	

Plug-in modules x2 (TP series)

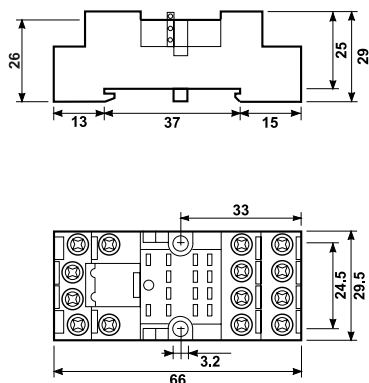
Type	Function	Height 27mm (mounted)
Typ 12 (TPD2)	Diode 6-220V DC (+A2, -A1)	
Typ 22 (TPD1)	Diode 6-220V DC (- A2, +A1)	
Typ 32 (TPL2)	LED + Diode 6-24V DC (+A2, -A1)	
Typ 42 (TPL1)	LED + Diode 6-24V DC (-A2, +A1)	
Typ 52 (TPR)	RC module 110-230V AC	
Typ 62 (TPL3)	LED 6-24V AC/DC	
Typ 72 (TPV1)	Varistor 24V AC	
Typ 82 (TPV2)	Varistor 230V AC	
Typ 92 (TPL4)	LED 110-230V AC/DC	

Plug-in modules EM series

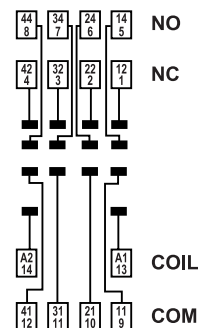
Type	Function	Height 28mm (mounted)
EM 03	RC module 110-230V AC	
EM 04	Varistor 24V AC	
EM 05	Varistor 230V AC	
EM 10	LED 110-230V AC	
EM 11	LED 6-24V AC/DC	
EM 12	LED+Diode 6-24V DC	

Dimensions

ES 15/4

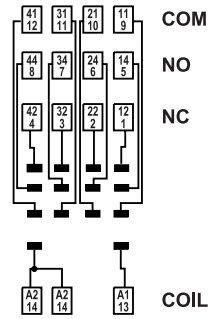
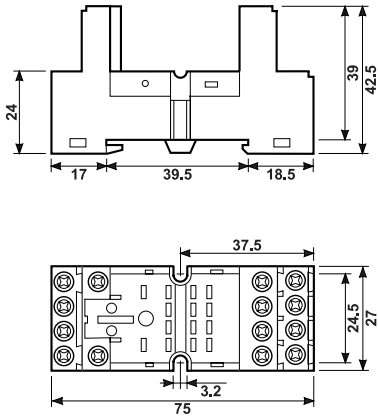


Connections

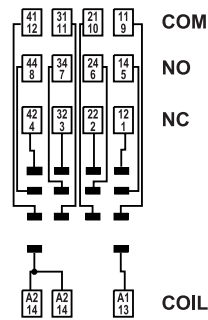
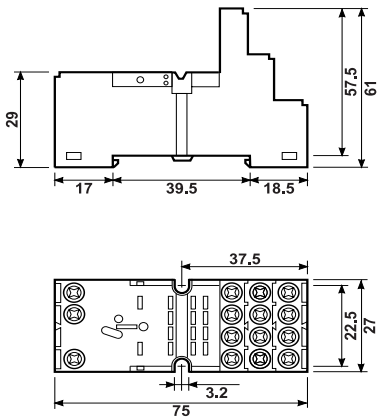


Dimensions

ES 15/4N



ES 15/4S



RSS214

